

1x40 W

Luminaire			
FCH	Ø		
1x40	350	24780	■ ■
1x55	350	24781	■ ■
1x60	450	24782	■
1x60	550	24783	■

Light source included.

Luminaire with LED RGB		
FCH	Ø	
1x60+LED RGB	450	24797

Suffix code	
■ -136	DALI
■ -138	SwitchDim/DSI

Add suffix code to the end of the luminaire part number to indicate required function – only one suffix can be added.

Accessories	
Assembly plate 350 600-module visible T-bars	94982
Assembly plate 450 600-module visible T-bars	94983
Assembly plate 550 600-module visible T-bars	94984

Replacement light source		
W	Socket	3000 K
Circular fluorescent lamp FCH		
40	2GX13	81393
55	2GX13	81312
60	2GX13	81397

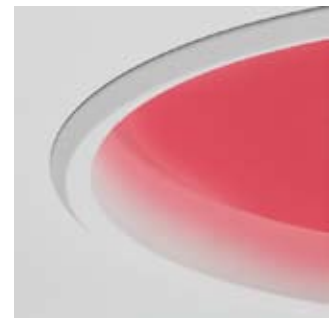
More information on light sources can be found in the Technical Section.

Installation
Recessed mounting in unventilated or ventilated ceilings. Assembly fittings included on order number. An assembly plate should be used when installing in soft tile ceilings.

Connection
The luminaire is equipped with a 2.5 m mains cable and earthed plug. Luminaire for LED RGB connect fast and has separate connection for the coloured light.

Design
Luminaire in white (NCS 0600/ RAL 9003) structured finish. Luminaire housing of enamelled deep drawn aluminium. Diffuser of opalised acrylic.

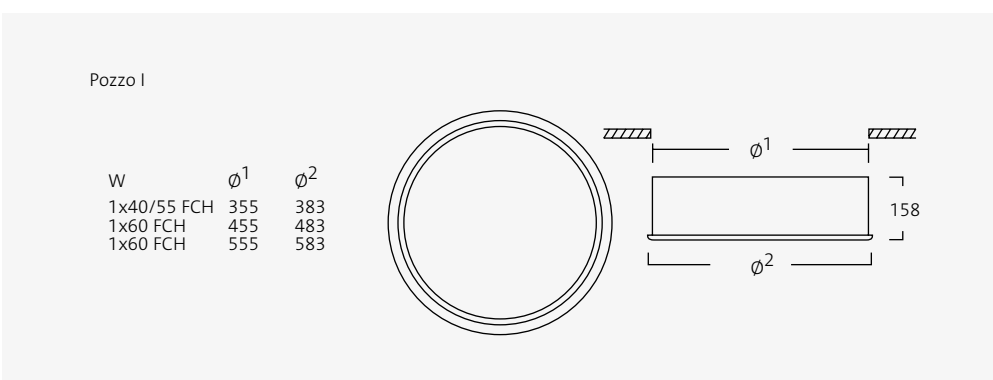
Miscellaneous
The luminaire's dome is adjustable vertically – to create a light well in the uppermost position or an opal surface in the lowermost position. RGB allows setting of a specific colour, alternatively colour sequences, controlled by DALI.



Pozzo LED RGB gives the possibility to create all potential light colours. Permanent or colour-alternating sequences that draw attention in the room.



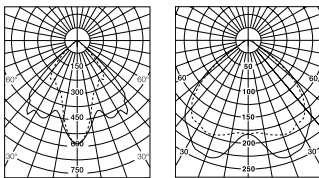
The luminaire housing is easily fitted on the assembly bracket via a key-hole slot in the bottom of the housing – quick and simple.





Pozzo II

FSQ, MT



1x70 W, MT

2x26 W, FSQ-E

Luminaire			
FSQ-E	∅		
2x26	350	24785	■
2x26	450	24786	■
2x26	550	24787	■
MT	∅		
1x35	350	24789	
1x70	450	24790	
1x70	550	24791	

Light source included.

Luminaire with LED RGB			
FSQ-E	∅		
2x26+LED RGB	450	24798	

Suffix code	
■ -133	DALI
■ -138	SwitchDim/DSI

Add suffix code to the end of the luminaire part number to indicate required function – only one suffix can be added.

Accessories	
Assembly plate 350 600-module visible T-bars	94982
Assembly plate 450 600-module visible T-bars	94983
Assembly plate 550 600-module visible T-bars	94984

Replacement light source		
W	Socket	3000 K
26	G24q-3	81223
35	G12	81386
70	G12	81384

More information on light sources can be found in the Technical Information Section.

Installation

Recessed mounting in unventilated or ventilated ceilings. Assembly fittings included on order number. An assembly plate should be used when installing in soft tile ceilings.

Connection

The luminaire is equipped with a 2.5 m mains cable and earthed plug. Luminaire for LED RGB connect fast and has separate connection for the coloured light.

Design

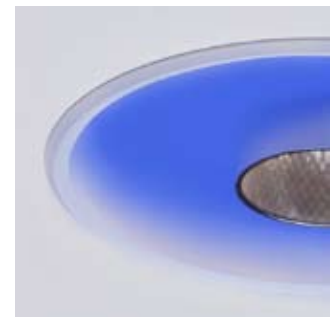
Luminaire in white (NCS 0600/ RAL 9003) structured finish. Luminaire housing of enamelled deep drawn aluminium. Diffuser of opalised acrylic.

Reflector

FSQ – Anodised aluminium reflector with plannished surface.
MT – Anodised aluminium reflector with plannished surface.

Miscellaneous

The luminaire's dome is adjustable vertically – to create a light well in the uppermost position or an opal surface in the lowermost position. RGB allows setting of a specific colour, alternatively colour seqvenses, controlled by DALI.



Pozzo LED RGB in combination with reflector gives the possibility to ignite functional light and colour light concurrently.



Assembly brackets always included in the delivery. A mounting plate is recommended with assembly in soft tile ceilings.

